



Product Catalog

STYLE **FUNCTION** COMFORT





OUR COMPANY

Flight Dental Systems is a Canadian owned and operated dental equipment manufacturer with sales in over 25 countries globally. It is one of the fastest growing dental equipment manufacturers in the industry and through the years its philosophy has always been to produce an innovative product with exceptional design, reliability and quality, at an affordable price. This philosophy is evident throughout the Flight product line, as each item is meticulously designed and engineered to suit the needs and requirements of every practitioner. In addition, Flight Dental Systems continues to improve its products through extensive R&D to provide the best possible product for the best possible price to it's customer.

A6 OPERATORY SYSTEMS

SYSTEM FEATURES

- A6 Hybrid Patient Chair (Hydraulic and Electromechanical)
- State-of-the-Art Hands Free Sensor Controlled Flight Torch LED Light
- Synchronized Chair and Back Movement for Superior Ergonomics
- Choose from 9 Plush Sewn or Seamless Upholstery Colors and 2 Ultraleather Colors
- Self Contained Water Bottle System
- Thin Backrest and Streamlined Seat rest
- Designed and Engineered in Canada
- DCI Compatible Parts



Delivery System

- Straight Aseptic Tubing for Three Handpieces
- Convenient Brake Release for Flex Arm
- Master on-off Control
- Individual Non-retracting Water Coolant Adjustment
- Purge System for Handpiece Tubing
- Includes 3-in-1 Syringe

Post Mounted Utility Features

- One-Piece Rotating Cuspidor
- Automatic Bowl Rinse and Timed Cup Fill
- Assistant's Instrumentation (HVE, SE, 3-in-1 Syringe)
- Vacuum Canister with Solids Collector Screen
- Self Contained Water Bottle System with City/Water Bottle Selector
- Quick Disconnect Water Connection

Packing Dimensions:

46" x 43" x 44" (1.2 x 1.1 x 1.1m)

Gross Weight: 500 lbs

Net Weight: 450lbs



A6 PATIENT CHAIR



STANDARD FEATURES

- A6 Hybrid Patient Chair (Hydraulic and Electromechanical)
- Hydraulic Base and Electromechanical Back Rest
- Seat Height 13.7" to 29.5" (350 to 750mm)
- Backrest Reclining Angle -5° to 64°
- Electronic Deluxe Foot Control: 2 Programmable Positions, Auto Return and Last Position
- Safety Shut-Off Plate
- Input Voltage (110v or 220v)



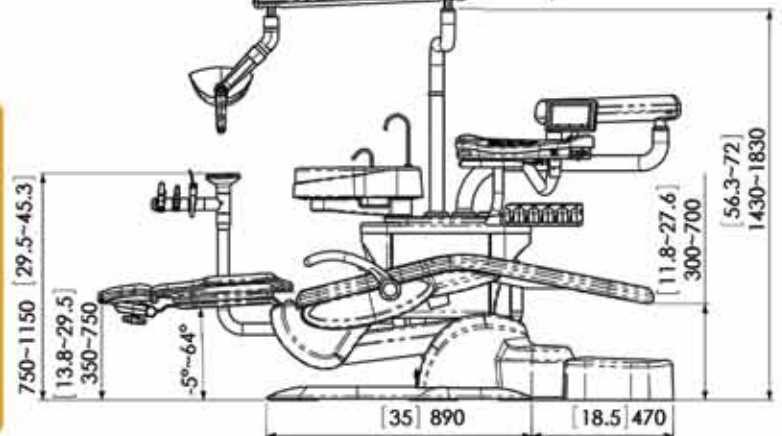
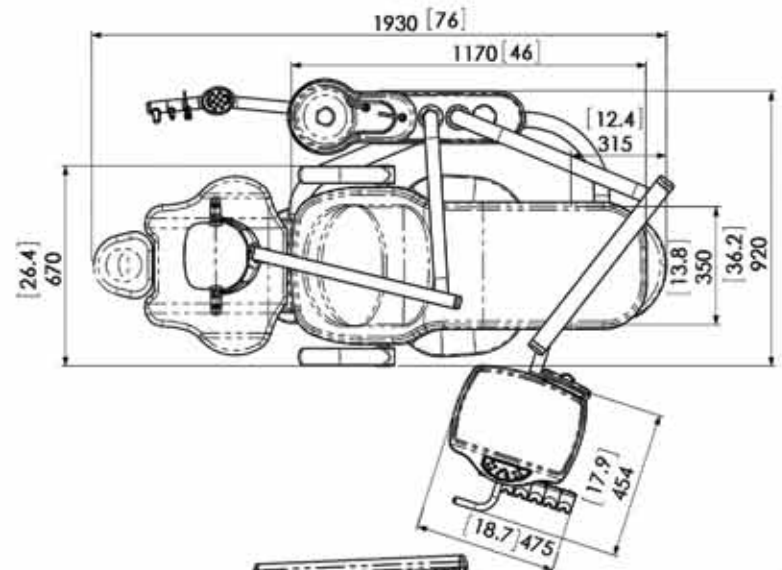
Linak Motor
From Denmark



Hydraulic System
Made In Japan



Memory Foam



A12 OPERATORY SYSTEMS

SYSTEM FEATURES

- A12 Hydraulic Patient Chair
- State-of-the-Art Hands Free Sensor Controlled Flight Torch LED Light
- Synchronized Chair and Back Movement for superior Ergonomics
- Choose from 9 Plush Sewn or Seamless Upholstery Colors and 2 Ultraleather Colors
- Self Contained Water Bottle System
- Thin Backrest and Streamlined Seat rest
- Designed and Engineered in Canada
- DCI Compatible Parts



Delivery System

- Straight Aseptic Tubing for Three Handpieces
- Convenient Brake Release for Flex Arm
- Master On-Off Control
- Individual Non-Retracting Water Coolant Adjustment
- Stainless Steel Tray
- Purge System for Handpiece Tubing
- Wet/Dry Foot Control
- Includes 3-in-1 Syringe

Swing Mount Utility Features

- One-piece Rotating Cuspidor with Removable Ceramic Bowl
- Automatic Bowl Rinse and Timed Cup Fill
- Assistant's Instrumentation (HVE, SE, 3in1 Syringe)
- Vacuum Canister with Solids Collector Screen
- Self Contained water system with City/Water Bottle Selector System
- QD water connection

Packing Dimensions:

55" x 44" x 45" (1.4 x 1.1 x 1.1m)

Gross Weight: 600 lbs

Net Weight: 550lbs



A12 PATIENT CHAIR



Hydraulic System
Made in Japan



30 Degree
Rotation

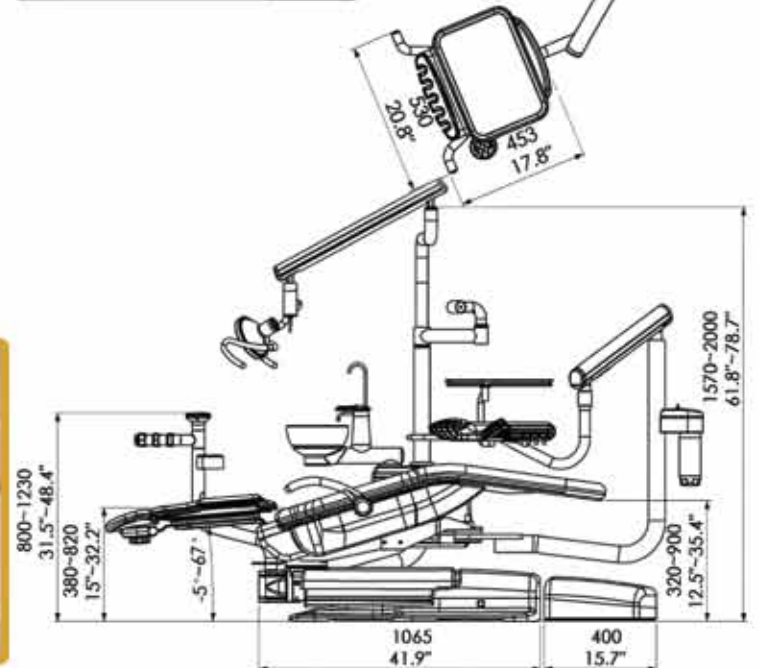
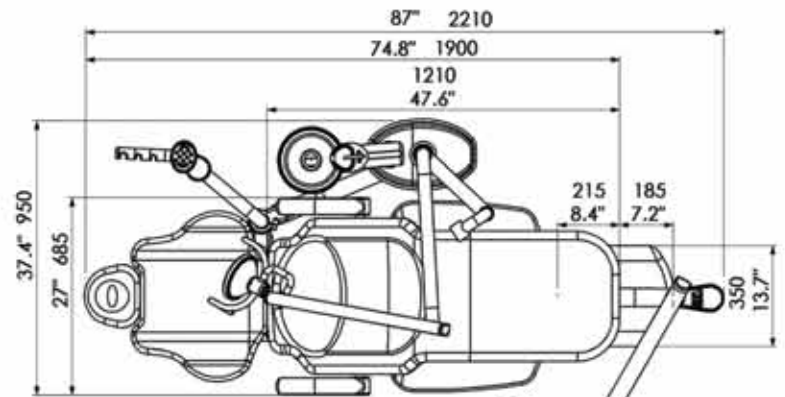


Memory Foam



STANDARD FEATURES

- Hydraulic base and back Patient Chair
- Seat Height 14.8" to 33"
- 60° Patient Chair swivel
- Backrest Reclining Angle – 5 degrees to 87 degrees
- Electronic Deluxe Foot Control: 2 Programmable Position, Auto-Return and Last Position
- Safety Shut-Off Plate
- Input Voltage Specify (110V or 220V)



A2 ORTHO PACKAGE



Drop Down Armrest



Optional Chair Mounted Touchpad



Double Articulating Headrest

SYSTEM FEATURES

- Hands Free Sensor Controlled Flight Torch LED Light
- 40" Light Post Mounted on L/R
- Sewn or Seamless Upholstery
- Quiet Electric Motor
- Optional: Touchpad Mounted on Chair or Deluxe Foot Control

Specifications:

Lifting Mechanism	Linear Actuated Linak Motors 24V DC
Seat Height	17" - 34"
Backrest Reclining Angle	4 degrees - 73 degrees
Emergency Stop	Any switch can cancel chair movement

DELIVERY UNITS

TRADITIONAL DELIVERY UNIT



TRAD-2002

TRAD-2001

CONTINENTAL DELIVERY UNIT



CONT-3002

MOBILE CART DELIVERY



MC-1300F

MC-1302F

REAR DELIVERY



RD-2102

IRIS LED LIGHT

STANDARD FEATURES

- Free Movement as a result of 3rd axis
- Low Energy Consumption <20w
- No Fan, less noise and improved working conditions
- Low Heat Production
- LED life expectancy is about 50,000 hours
- Patented Color Temperature Adjustment
- 3 Modes (Cure Safe Mode, Surgical Procedures, Color Matching Mode)
- Made in Italy



Anti-polymerisation Mode

3000 K, minimises blue emission, reducing the compound curing speed;



Surgical Treatment

4500 K, optimises the colour contrast on the soft tissues, better distinguishing the shades of the gums, blood and periodontium;



Colour Capture

5500 K, creates a combination of cool and warm LEDs that maximises the colour rendering index, facilitating the dentist's choices during tooth replacement operations.

LED Lamp Consumption	<20 watt
Input Voltage:	110/220V, 50/60 Hz
Output Voltage:	17- 24Vac
Color Temperature:	4200- 6000 K (5 Adjustable Steps)
Light Intensity (Lux):	High 35,000; Low 8,000 (5 Adjustable Steps)
Focal Length:	27.6" (70 cm)
Light Pattern:	2.8" x 5.6" (7cm x 14cm)
CRI (Color Rendering Index)	>90%
Light Source	8 LED
Emission Spectrum	380-780 nm

MOUNTING OPTIONS



SINGLE LED TRACK LIGHT



DUAL TRACK LIGHT

TORCH LED LIGHT



LED Lamp Consumption <20 watt

Input Voltage:	110/220V, 50/60 Hz
Output Voltage:	12- 24VAC
Color Temperature:	5500K
Light Intensity (Lux):	High 30,000; Low 8,000
Focal Length:	27.6" (70 cm)
Light Pattern:	3.15" x 6.3" (8cm x 16cm)

STANDARD FEATURES

- Direct LED Light Bulbs- 50,000hr life expectancy
- Energy Efficient, No Heat Production
- Triple Axis movement of Light Head
- Sensor control for on/off of light
- Removable handles for cleaning
- Shadow less Rectangular Pattern

CHAIR MOUNTED LIGHT



Model:LL-306G – IRIS
Model:LL-305F - Torch

WALL/CABINET MOUNTED LIGHT



CEILING MOUNTED LIGHT



Model:CL-306G – IRIS
Model:CL-305F - Torch

ACCESSORIES

CURING LIGHTS



Xlite 2

Technical Specifications

Light Source:	5w LED Module
Wavelength Range:	385-515 nm
Light Performance:	1,700 mW/cm ² ±20%
Power Voltage:	3.7Vdc
Battery Charger:	Input 110-240Vac, 50-60Hz
	Output 5Vdc, 1A
Battery:	Lithium-ion battery 3.7Vdc, 1600 mAh
Charging Time	Approximately 180 min
Dimensions	Handpiece: max. Ø25.5 x 218 mm
	Base: Ø65 x 10 mm
Weight	Handpiece: 93g Base: 190g



X-CURE

Technical Specifications

Light Source	5w LED Module
Wavelength Range	385-515nm
Light Performance	100mW/cm ² - 1200mW/cm ²
Power Voltage	5Vdc
Power Input	AC100V-240V 50/60Hz
Battery	2 units Lithium Ion Battery
	3.6vdc
	1400mAh
Dimensions	263mm x Ø 23mm
Net Weight	120g

SCALERS



Features

- Dual Frequency Ultrasonic System
 - Accepts both 25 and 30K Inserts
- Automatically adjusts to 25 or 30k
- Turbo Function controlled by a 2-position foot switch to provide extra power to remove heavy calculus
- Detachable Autoclavable Handpiece Sleeve
- Individual Water Control
- Power Control

ELECTRIC MOTOR BIEN AIR



MX2 LED Micro-Series

Type	Brushless, with internal spray
Max Torque	3.5 N
Speed Range	100-40,000 rpm
Weight	94 gr
Coupling	Compatible with Type E as per ISO 3964 and Micro-Series
Light	LED with adjustable intensity
Max Noise Level	53 dBA, compliant with ISO 11498
Cleaning/Sterilisation	Sterilisable without protection
Ref.	1600677-001

SELF-GENERATED LED HIGHSPEED HANDPIECES



MID-WEST 4 HOLE
MODEL: F-164



KAVO® CONNECTION
MODEL F-164K

*KAVO® ARE THE TRADEMARKS OF KALTENBACH & VOIGT GMBH CO. GERMANY

SELF-GENERATED LED SURGICAL HANDPIECES



Model	F-164/F-164K	F-164T/ F-164KT
Operating Air Pressure	30-35 PSI	30-35 PSI
Connection	Mid-West 4 Hole/ Kavo Connection*	Mid-West 4 Hole/ Kavo Connection*
Spray	Triple Water Spray	Triple Water Spray
Rotation speed	≥ 350,000rpm	≥ 280,000rpm
Power	17 watts	21 watts
Chuck strength	35-45N	35-45N
Bur Type	FG Bur 1.595-1.60mm	FG Bur 1.595-1.60mm
Brightness	25,000 lux	25,000 lux



**BUILT-IN
GENERATOR**

Model	F-160
Operating Pressure	30-35 PSI
Connection	Mid-west 4 Hole
Spray	Single Water Spray
Rotation Speed	≥350,000 Rpm
Power	21 Watts
Bur Type	Surgical Bur
Brightness	25,00 Lux

LOW SPEED HANDPIECES

AIR MOTOR



MODEL:F-424BM
CONNECTION: MIDWEST 4 HOLE
ALLOWABLE MAX SPEED:20,000RPM
COOLANT DELIVERY: EXTERNAL

**CONTRA ANGLE PUSH
BUTTON LATCH HEAD**



MODEL: F-424BW
TRANSMISSION RATIO: 1:1 DIRECT DRIVE
ALLOWABLE MAX SPEED: 20,000RPM
BLUR SPEC (MM): CA (2.35)

STRAIGHT NOSE CONE



MODEL: F-415BZ
TRANSMISSION RATIO: 1:1 DIRECT DRIVE
ALLOWABLE MAX SPEED: 40,000RPM
COOLANT DELIVERY: EXTERNAL
BLUR SPEC.(MM): HP (0 2.35)
COUPLING: ISO 3964

**KAVO™ COMPATIBLE
QUICK CONNECTORS**



PRODUCT CODE:
QC164K

STOOLS



DELUXE DOCTOR STOOL

Dimensions:

Backrest Vertical Adjustment Range	0~ 4.7"(12cm)
------------------------------------	---------------

Seat Width	17.7"(45cm)
------------	-------------

Seat Height Ranges	18.5"-23.6"(47-60cm)
--------------------	----------------------

5 Leg Base Diameter	24"(61cm)
---------------------	-----------



DELUXE ASSISTANT STOOL

Dimensions:

Abdominal Vertical Adjustment Range:	0~3.1"(8cm)
--------------------------------------	-------------

Seat Width	17.7"(45cm)
------------	-------------

Seat Height Ranges	18.5"-23.6"(47-60cm)
--------------------	----------------------

5 Leg Base Diameter	24"(61cm)
---------------------	-----------



SADDLE STOOL

Dimensions:

Seat Height	21.6" to 29.5" (55-75cm)
-------------	--------------------------

Base Diameter	18.9" (48cm)
---------------	--------------

Seat Debt	14" (35.5cm)
-----------	--------------

Seat Width	17.1" (45.3cm)
------------	----------------



COLOURS

Standard Plush Seamless and Sewn Upholstery



L12 Black



L13 Light Gray



L14 Stone



L15 Honesty



L16 Red



L22 Valley



L24 Chaps



L27 Marmalade



L28 Woodviolet

Ultraleather Sewn Upholstery U - Series



U01 Taupe



U03 Walnut

*Custom Colors Available for Both Ultraleather and Plush – Upcharge



21 Kenview Blvd. Unit 9, Brampton, ON Canada L6T 5G7
Phone : 905-799-0517 Toll Free : 1-866-799-0517 Fax : 1-905-793-2406
www.flightdentalsystems.com